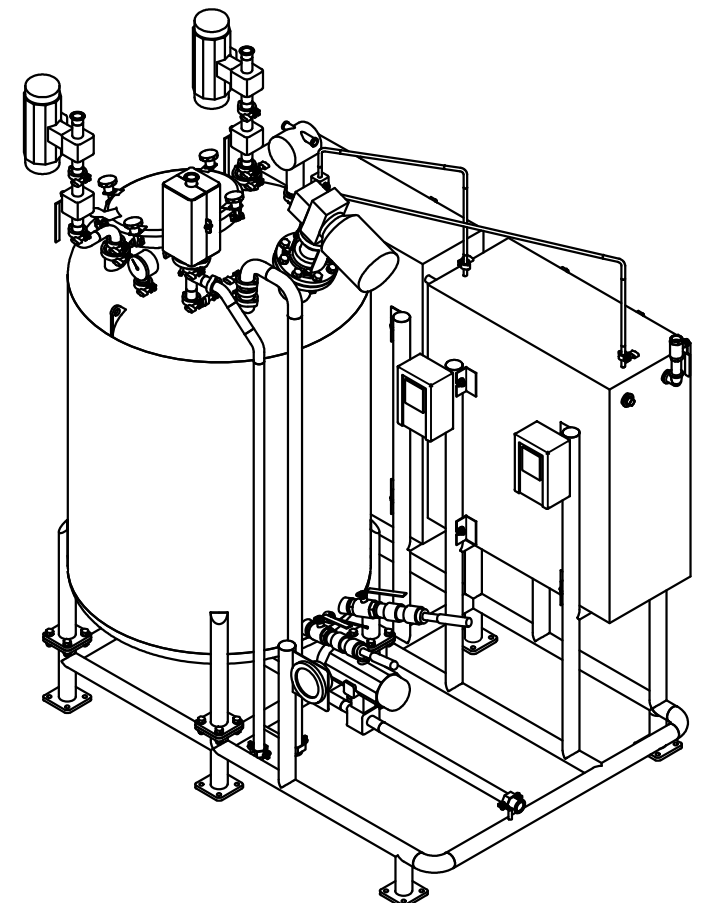
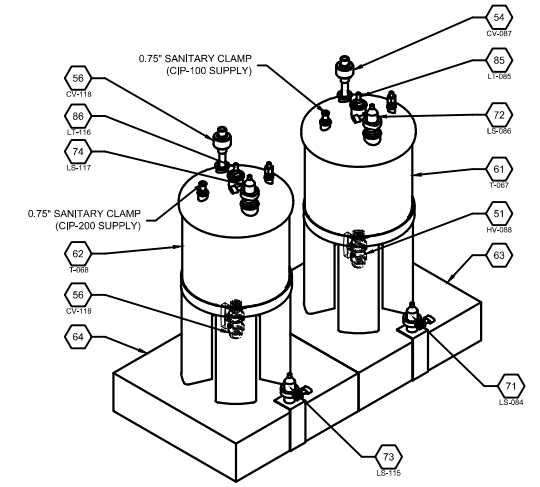


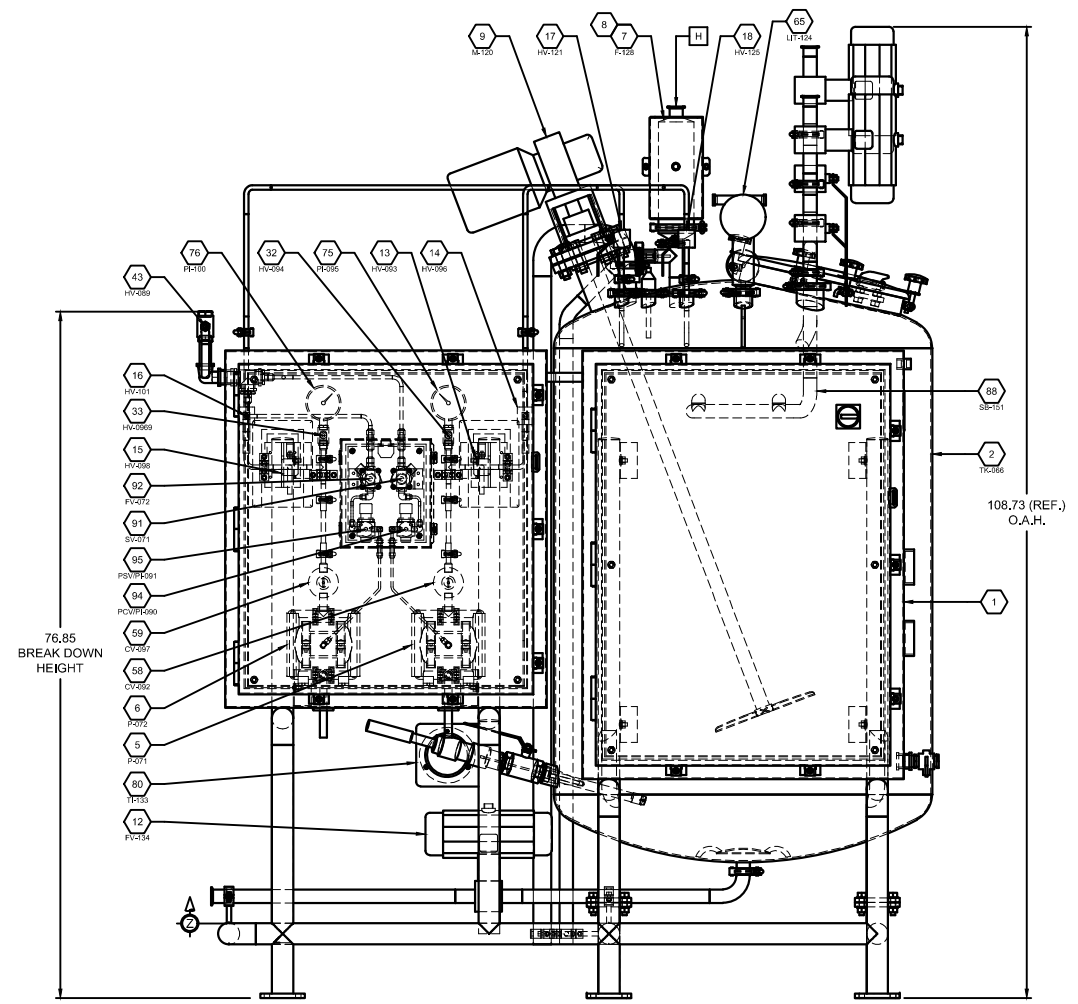
"PLAN VIEW"



"ISOMETRIC VIEW"  
(FOR REFERENCE ONLY)



"CHEMICAL BARREL ISOMETRIC"



"FRONT VIEW"

# CHEMICAL KILL SYSTEM PLC CONTROLLED